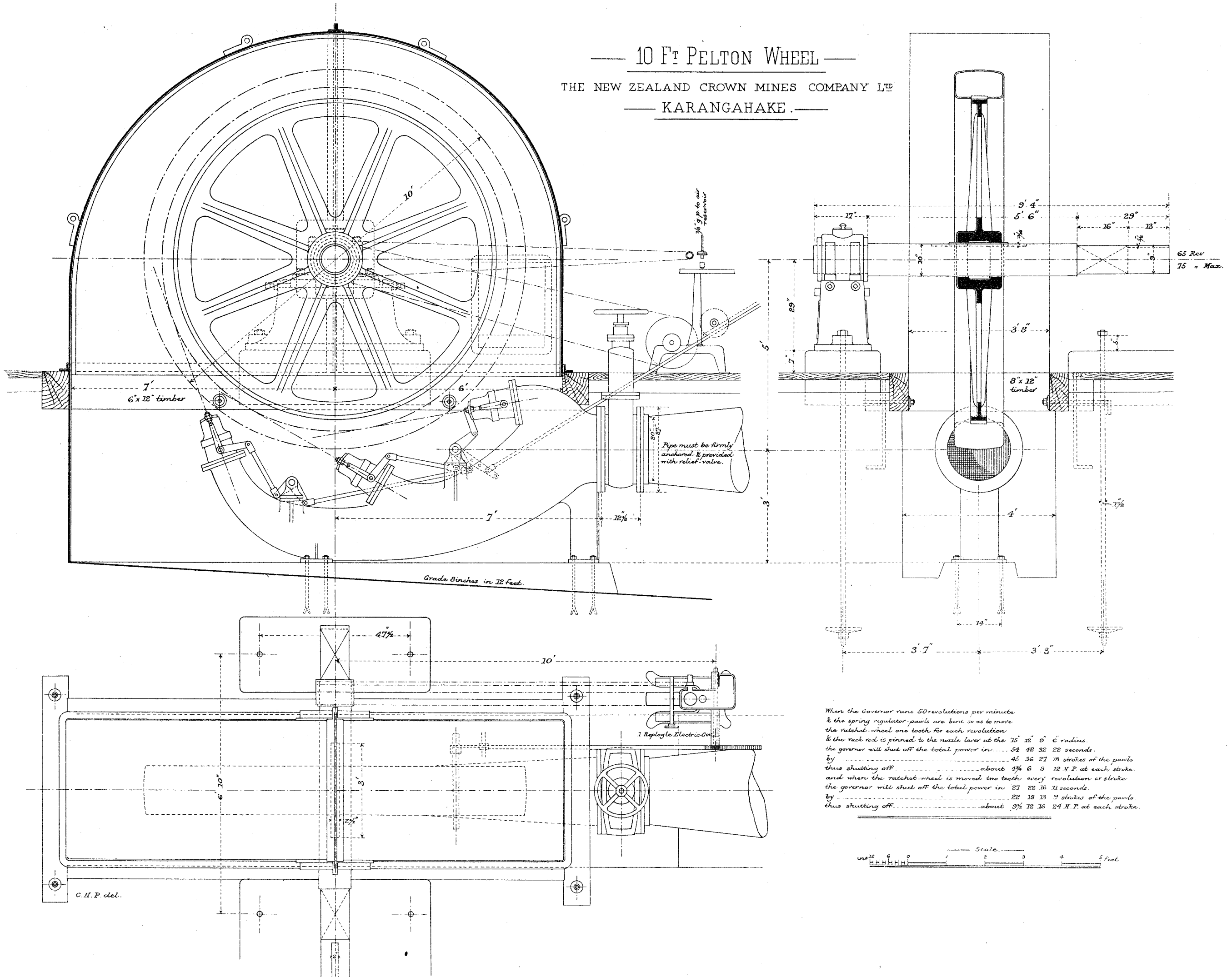


— 10 FT PELTON WHEEL —

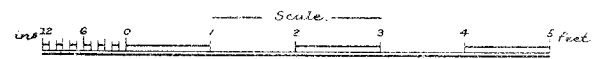
THE NEW ZEALAND CROWN MINES COMPANY LTD

— KARANGAHAKE. —



65 Rev
75 " Max.

When the Governor runs 50 revolutions per minute & the spring regulator pawls are bent so as to move the ratchet-wheel one tooth for each revolution & the rack rod is pinned to the nozzle lever at the 15' 12" 9" 6" radius, the governor will shut off the total power in 54 42 32 22 seconds, by 45 36 27 18 strokes of the pawls thus shutting off about 1 1/4 6 8 12 H.P. at each stroke, and when the ratchet-wheel is moved two teeth every revolution or stroke the governor will shut off the total power in 27 22 16 11 seconds, by 22 18 13 9 strokes of the pawls thus shutting off about 3/4 12 16 24 H.P. at each stroke.



C.H.P. del.